

SOTERA[®]

SYSTEMS

Kits



FILL-RITE.



 **Tuthill**

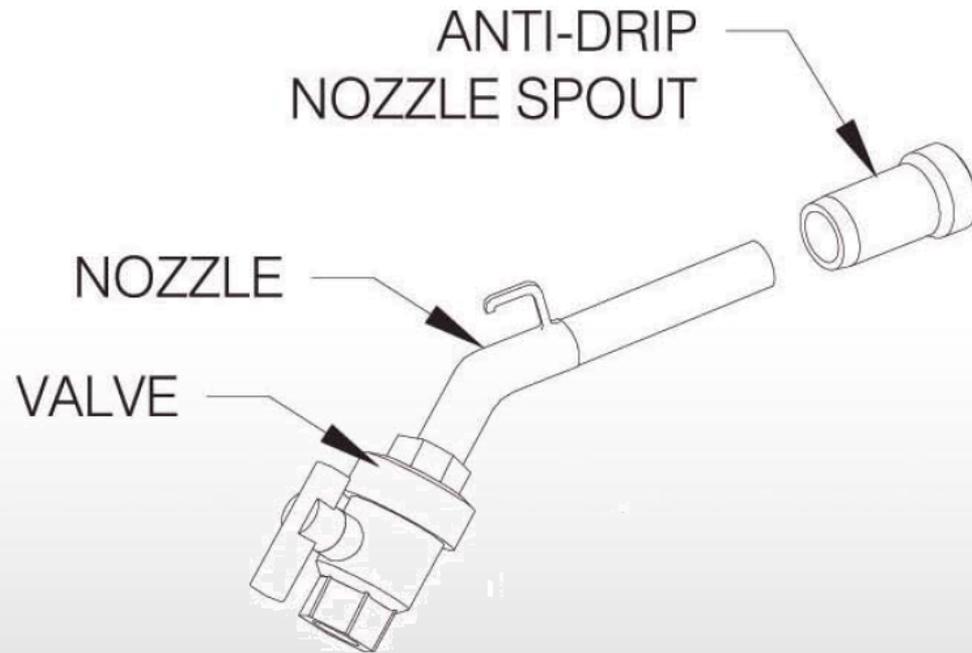
SOTERA[®]
SYSTEMS

Table of Contents

- [400KTF0236 – Banjo Anti-Drip Spout](#)
- [400KTF0237 – Norwesco Anti-Drip Spout](#)
- [400KTF0281 – Banjo Anti-Drip Nozzle](#)
- [400KTF6853 – Tall Frame Chemtraveller](#)
- [400KTF6862 – 400 \(Pre B\) Filcon Rebuild](#)
- [400KTF6863 – 400 \(Pre B\) Santo Rebuild](#)
- [400KTG9137 – 400 \(Pre B\) Santo Diaphragms](#)
- [400KTG8084 – Monsanto Shuttle Adapter](#)
- [400KTG8106 – 2” NPT/Buttress Quick Attach](#)
- [400KTG8583 – Quick Attach Cover](#)
- [400KTG9028 – 2” NPT Quick Attach](#)
- [400KTG9029 – 2” Buttress Quick Attach](#)
- [400KTG8830 – Hose w/ 825 Meter Assm](#)
- [400KTG9168 – Retrofit for Pump and Meter](#)
- [400KTG9341 – Chemtraveller Bottom Suction](#)
- [400KTG9342 – Chemtraveller Top Suction](#)
- [400KTH1178 – 400B Santoprene Diaphragm](#)
- [400KTH1179 – 400B Filcon Diaphragm](#)
- [400KTH1456 – 400B Filcon Rebuild](#)
- [400KTH1457 – 400B Santoprene Rebuild](#)
- [400EXPF6846 – 12 VDC Ex Proof Motor](#)
- [400EXPF7351 – 115 VAC Ex Proof Motor](#)
- [445KTF1596 – 13 Bolt to GEM-CAP](#)
- [445KTF1691 – 12 to 13 Bolt Adapter](#)
- [445KTG9128 – 445 EPDM Seal](#)
- [445KTH1492 – 445 Recirc. Valve Rebuild](#)
- [825KTG9123 – EPDM O-Rings / 820, 825, 850](#)
- [825KTF1582 – 820, 825, and 850 Rebuild](#)

400KTF0236 – Anti-Drip Spout

- Fits Banjo Spout and Other Spouts with a 1" OD.
- Nozzle and Valve are Not Included in the Kit.

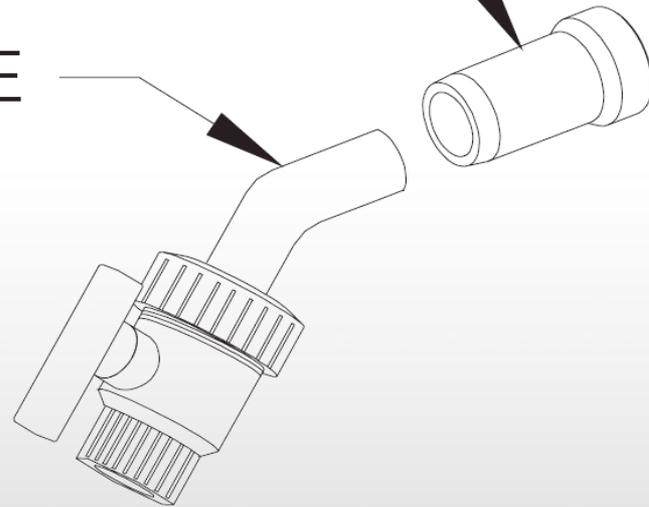


400KTF0237 – Anti-Drip Spout

- Fits Norwesco Spout and Other Spouts with a 1 3/16" OD.
- Nozzle and Valve are Not Included in the Kit.



ANTI-DRIP
NOZZLE SPOUT
NOZZLE

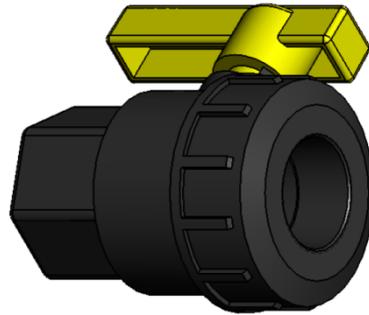


400KTF0281 – Banjo Nozzle

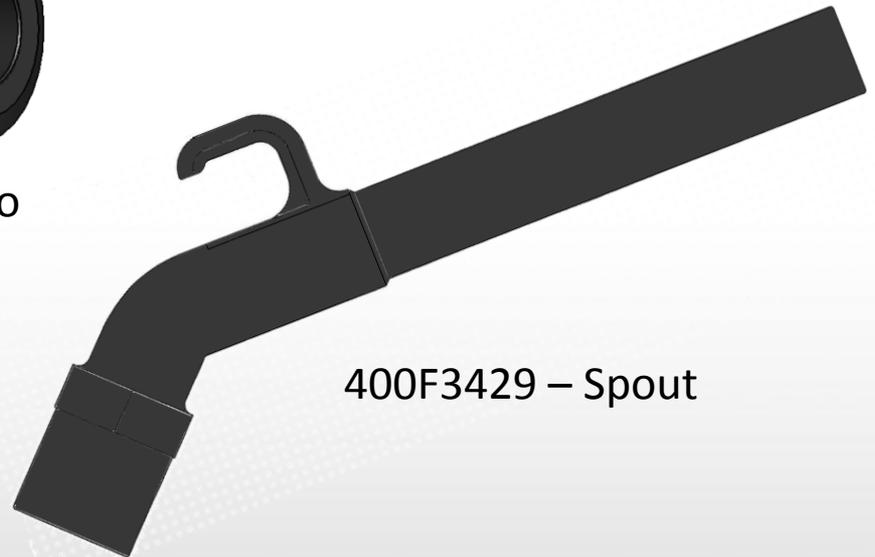
- 1" Banjo Ball Valve Nozzle w/ Anti-Drip Spout.



400KTF0236 – Banjo
Anti Drip Tip

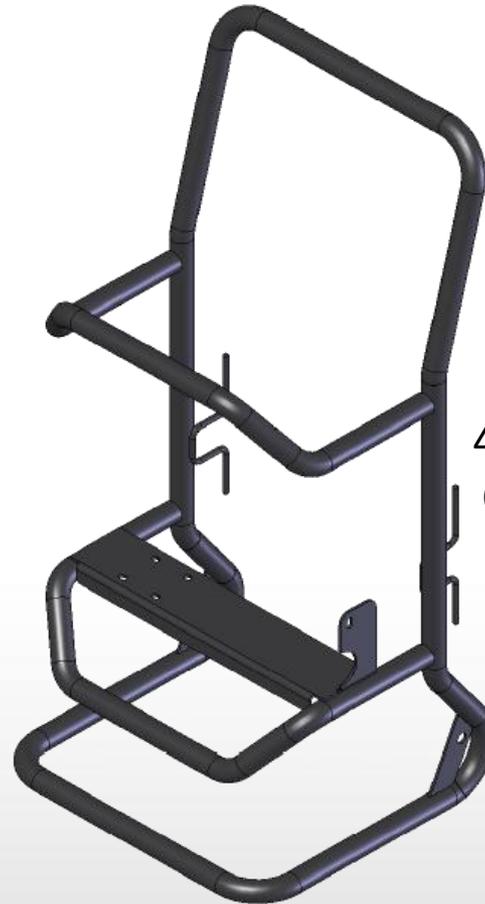


400F3622 – Banjo
Ball Valve



400F3429 – Spout

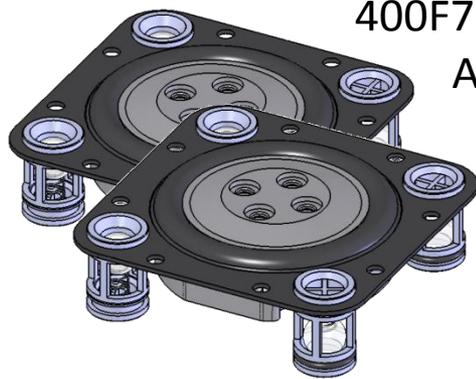
400KTF6853 – Tall Frame Chemtraveller



400F6892 - Tall
Chemtraveller
Frame

400KTF6862 – Filcon Rebuild Kit

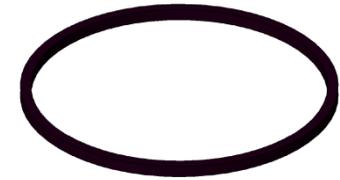
- For the older 400 series (pre-400B) pumps.



400F7238 - Diaphragm Assembly (2)



400G8952 O-Rings (8)



400F6692 Gasket



400G7494 Screws (6)



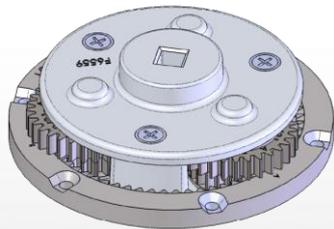
400F0267 Screws (2)



400F6795 Screws (8)



400F6924 Gaskets (2)



400F6557 Gear Pack



400F6563 Drive Gear



1200F6440 Rotor Key



400F6754 Insert (2)

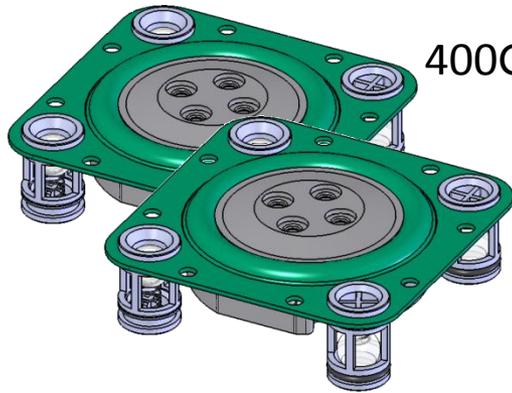


400F6698 Insert (2)



400KTF6863 – Santoprene Rebuild Kit

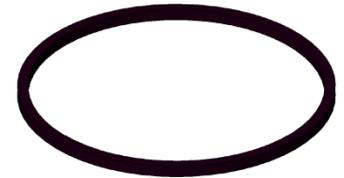
- For the older 400 series (pre-400B) pumps.



400G8964 - Diaphragm Assembly (2)



400G8952 O-Rings (8)



400F6692 Gasket



400G7494 Screws (6)



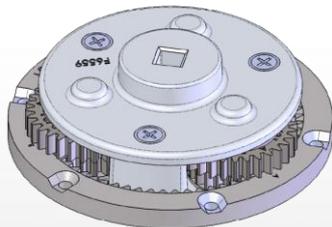
400F0267 Screws (2)



400F6795 Screws (8)



400F6924 Gaskets (2)



400F6557 Gear Pack



400F6563 Drive Gear



1200F6440 Rotor Key



400F6754 Insert (2)

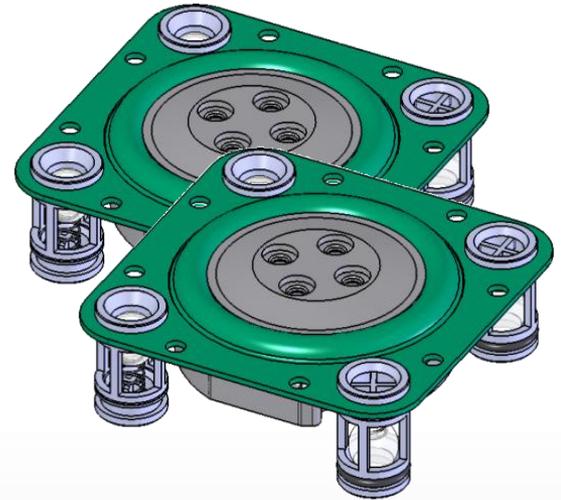


400F6698 Insert (2)



400KTG9137 – Santoprene Diaphragm Kit

- For the older 400 series (pre-400B) pumps.



400G8964 - Diaphragm Assembly (2)



400G8952 O-Rings (8)



400F6795 Screws (8)

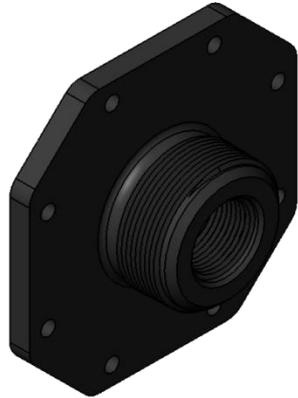


400F6924 Gaskets (2)



400KTG8084 – Monsanto Adapter Kit

- For use on Monsanto shuttles.



400G8071
Flange



35F1673
Monsanto
Coupler



400F6924
Gasket



Kit Installed
on Pump

400KTG8106 – Quick Attach Kit



400G8064
2" NPT
Adapter



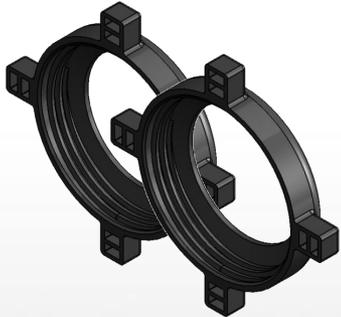
400G8069
2" Buttress
Adapter



400G8065
Pump Flange



400G8070
Dust Cap



400G8078
Threaded Collar (2)



400G8066
Probe



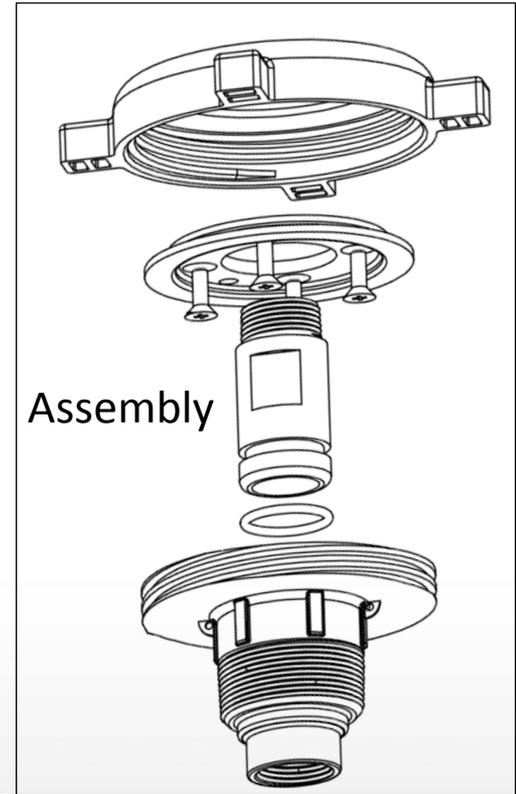
400G8108
Probe O-Ring



400G8081
Screws (4)



400F1855
Poly Suction Pipe



400KTG9028 – 2" NPT Quick Couple Kit



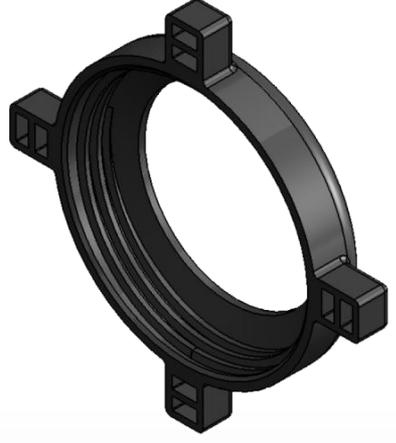
400F1855
Poly Suction Pipe



400G8064
2" NPT Adapter



400G8070
Dust Cap



400G8078
Threaded Collar



400KTG9029 – 2" Buttress Quick Couple Kit



400F1855
Poly Suction Pipe



400G8069
2" Buttress
Adapter

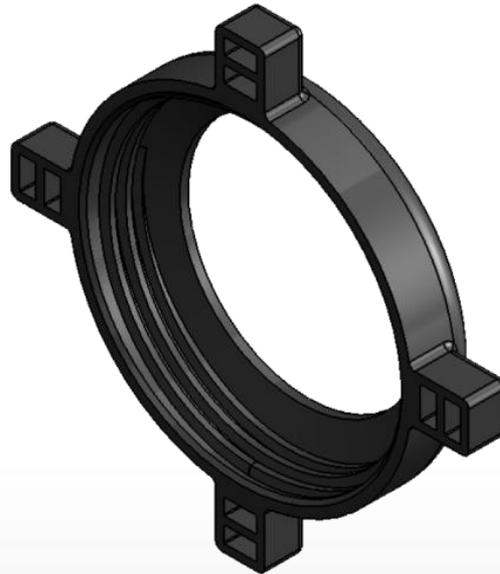


400G8070
Dust Cap



400G8078
Threaded Collar

400KTG8583 – Quick Attach Cover Kit



400G8078
Threaded Collar



400G8070
Dust Cap

400KTG8830 – Hose / 825 Meter Kit

- The 825 Meter is Assembled to the Hose at TTS.



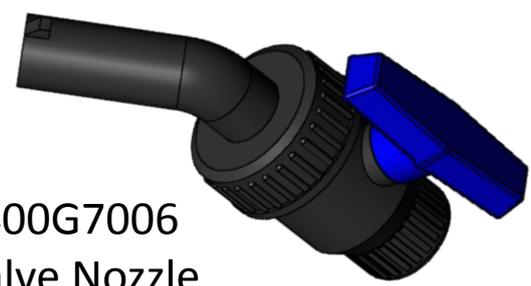
400F1672
1" Hose Barb



400F1672
Hose Clamp (2)



400F1672
1" Short Nipple



400G7006
Valve Nozzle



700F3123
1" x 12' Hose



825 Meter



400KTG9168 – Santoprene Pump/Meter Kit

- For the older 400 series (pre-400B) pumps.

445KTG9128 Kit



445G9117
Recirculation
Spout



445G9113
O-Ring

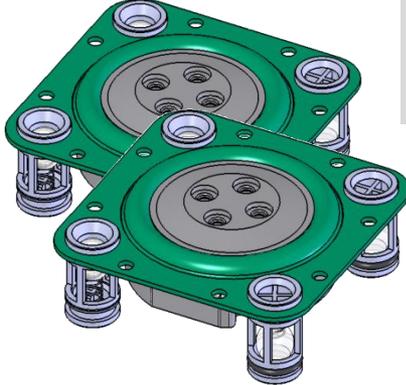


800F4034
O-Ring



400F6924
Gasket

400KTG9137 Kit



400G8964
Diaphragms (2)



400G8952
O-Rings (8)



400F6795
Screws (8)



400F6924
Gaskets (2)

825KTG9123 Kit

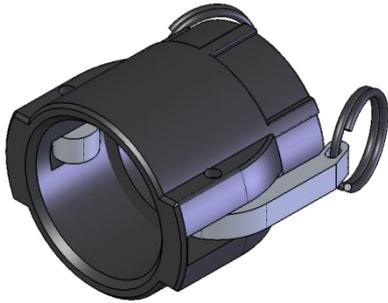


400G8951 O-Ring



820G9108 O-Ring

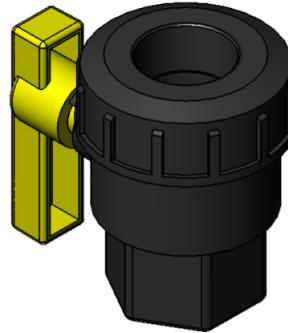
400KTG9341 – Chemtraveller Bottom Suction Kit



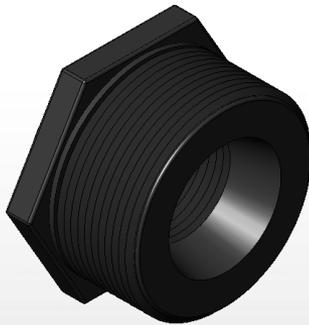
419G8206
2" Female Coupler



419G8207
2" Male Coupler



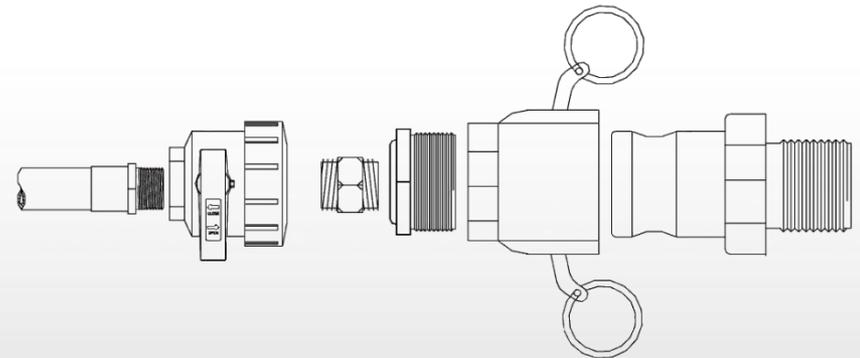
400F3622
Ball Valve



435F1766
2"x 1" Reducer



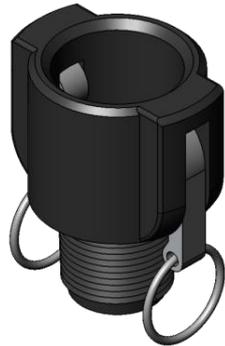
400F3428
1" Short Nipple



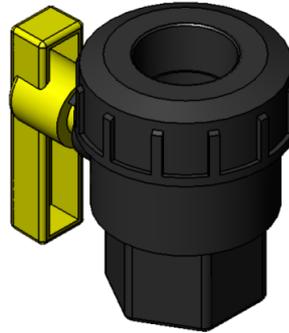
400KTG9342 – Chemtraveller Top Suction Kit



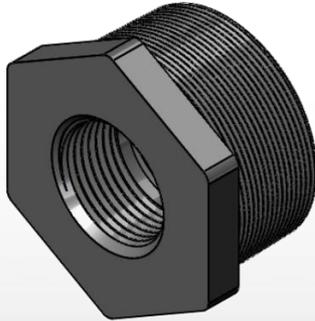
400F3624
1" Male Adaptor



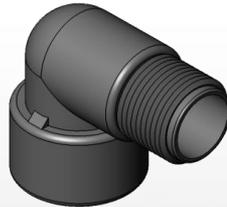
400F3618
1" Female Coupler



400F3622
Ball Valve



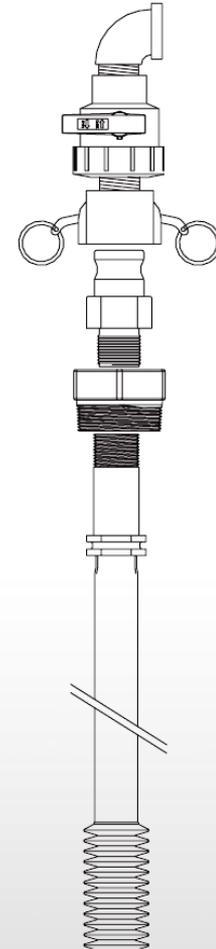
100F1175
Double Tap Bushing



400F3619
Poly Street Elbow

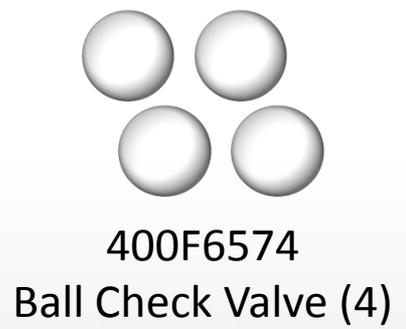
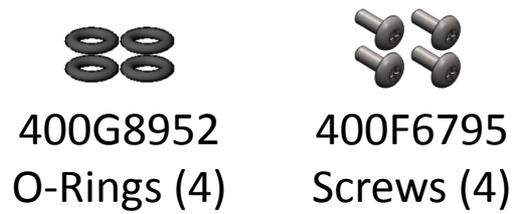
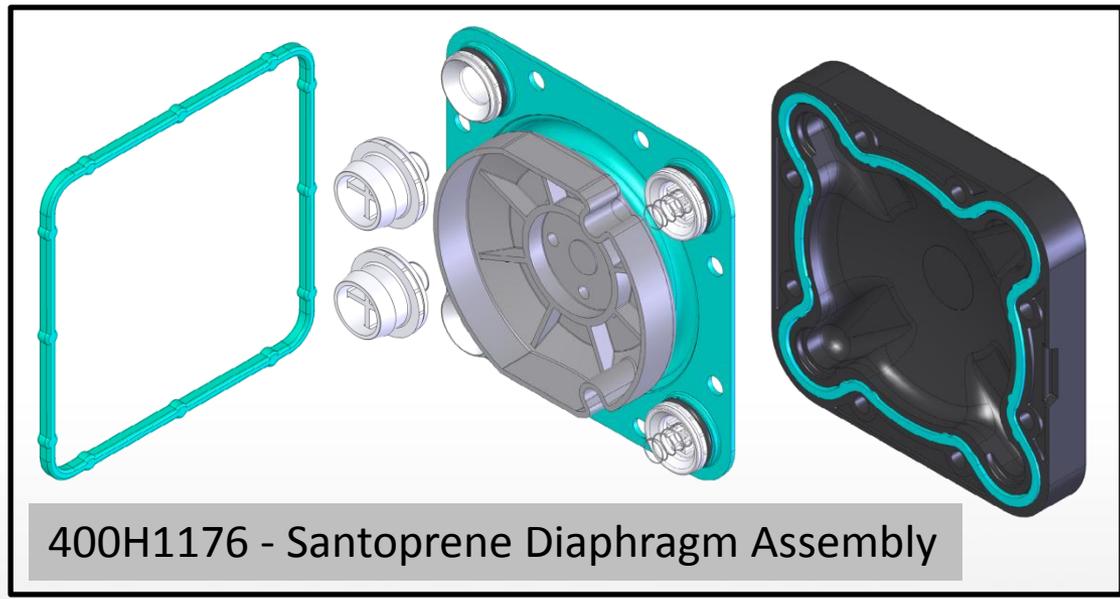


445F1863
Suction Tube



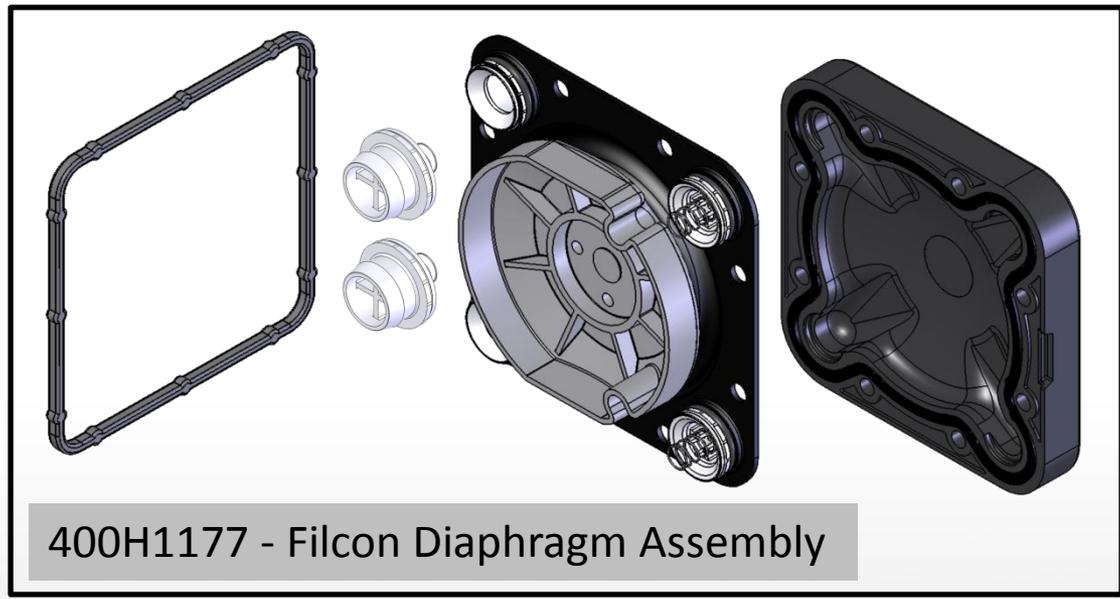
400KTH1178 – 400B Santoprene Diaphragm Kit

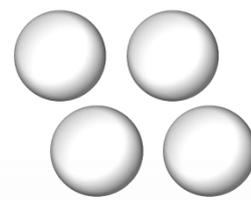
- For the 400B Series Pumps.



400KTH1179 – 400B Filcon Diaphragm Kit

- For the 400B Series Pumps.



-  400G8952 O-Rings (4)
-  400F6795 Screws (4)
-  400F6574 Ball Check Valve (4)



400KTH1456 – 400B Filcon Rebuild Kit

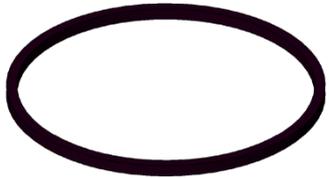
- For the 400B Series Pumps.



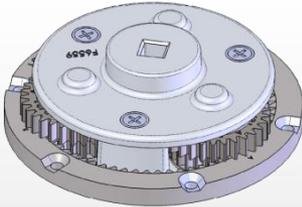
400KTH1179 - Filcon Diaphragm Kit (2)



400F0267
Screws (2)



400F6692
Gasket



400F6557
Gear Pack



400F6563
Drive Gear



1200F6440
Rotor Key



400F6754
Insert (2)



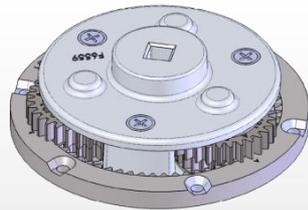
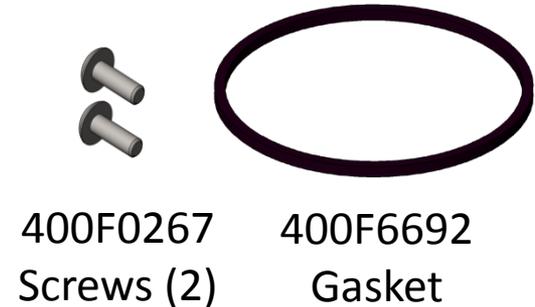
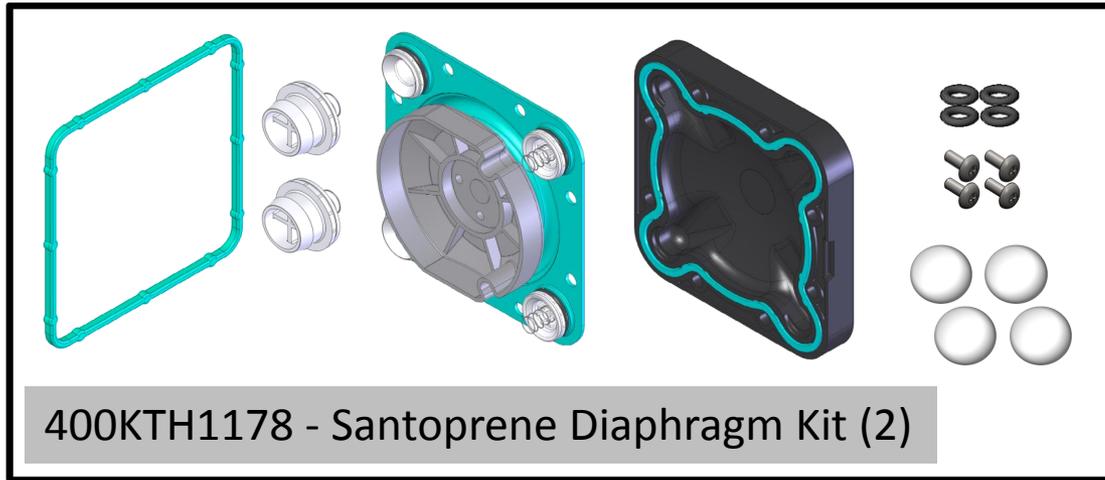
400G7494
Screws (6)



400F6924
Gaskets (2)

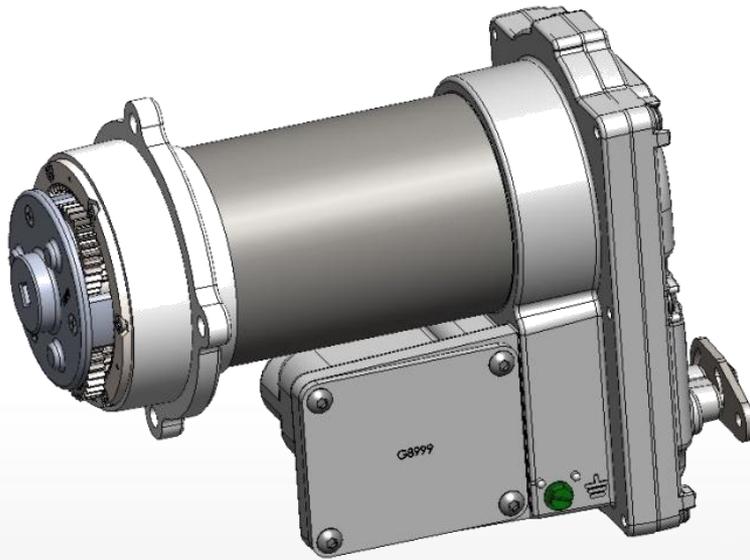
400KTH1457 – 400B Santoprene Rebuild Kit

- For the 400B Series Pumps.

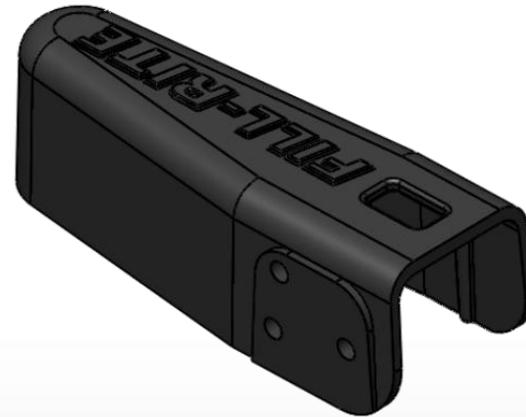


400EXPF6846 – 12 VDC Motor Kit

- 12 VDC Explosion Proof Motor.



400F6796
Explosion Proof Motor



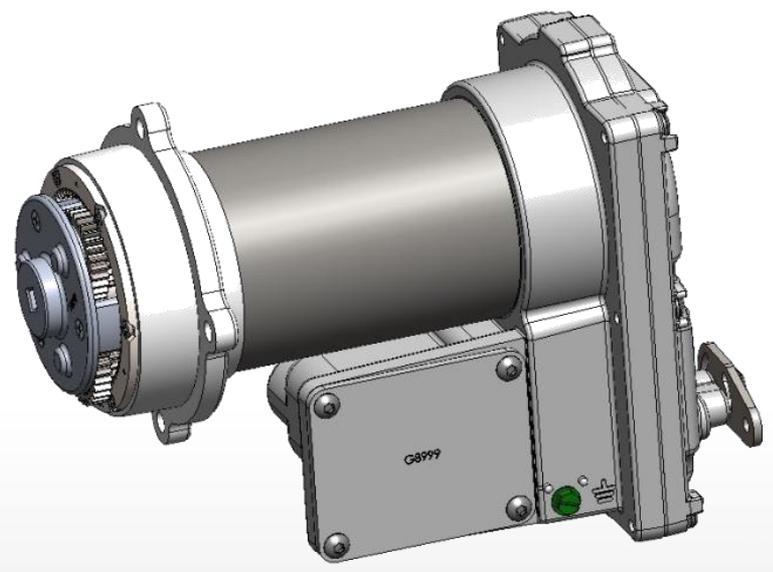
Nozzle Boot



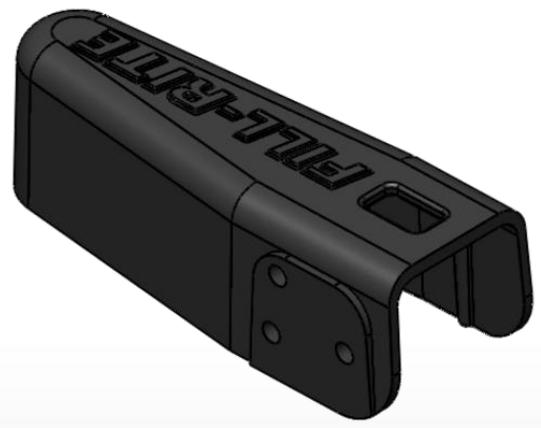
1200G9830
5' Green
Ground Wire

400EXPF7351 – 115 VAC Motor Kit

- 115 VAC Explosion Proof Motor.



460G9729
Explosion Proof Motor

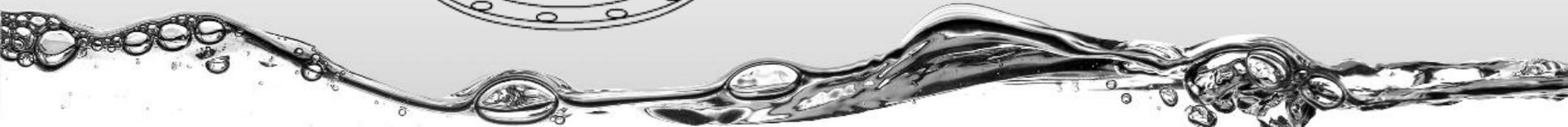
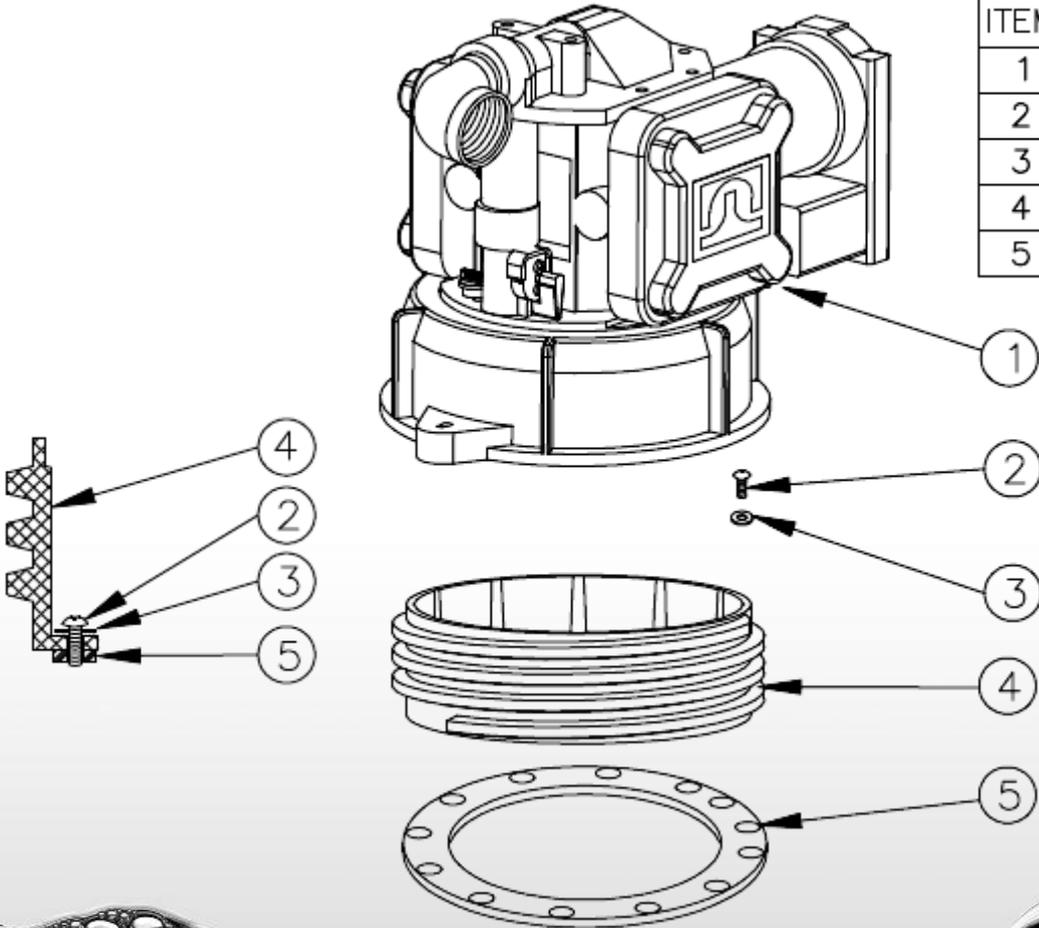


Nozzle Boot

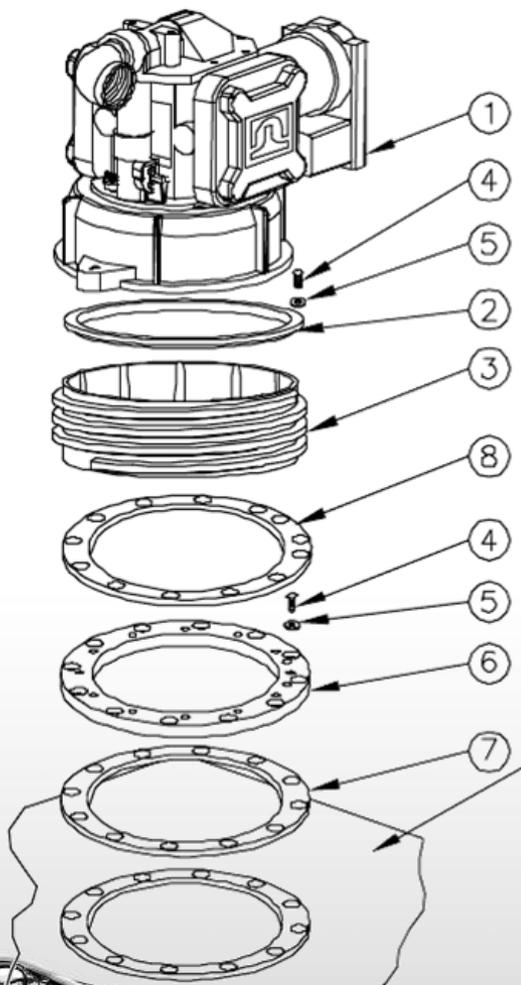


445KTF1596 – 13 Bolt to GEM-CAP Kit

ITEM	PART NO.	DESCRIPTION	QTY.
1		SOTERA 445 PUMP	
2	400F0138	SCREW, #10-24 X 3/4	13
3	400F6812	WASHER	13
4	445F1595	13 BOLT ADAPTER	1
5	400F0194	FOAM GASKET	1

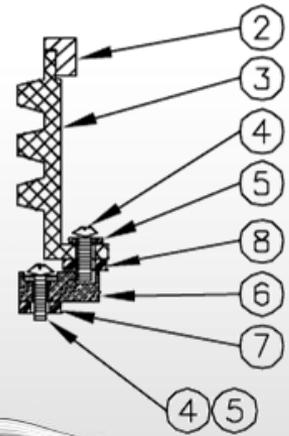


445KTF1691 – 12 to 13 Bolt Adapter Kit



ITEM	PART NO.	DESCRIPTION	QTY.
1		SOTERA 445	
2	445F1649	RUBBER GASKET	1
3	445F1595	13 BOLT GEM ADAPTER	1
4	400F0138	SCREW, #10-24 X 3/4	25
5	400F6812	WASHER	25
6	445G9307	12 TO 13 BOLT ADAPTER	1
7	400F0617	FOAM GASKET	1
8	400F0194	FOAM GASKET	1

ZENECA 110 GALLON EASY HANDLER TANK



445KTG9128 – 445 EPDM Seal Kit



445G9117
Recirculation Spout



800F4034 O-
Ring



445G9113
O-Ring



400F6924
Gasket



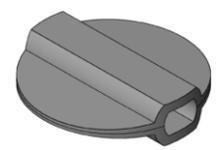
445KTH1492 – 445 Recirc Valve Repair Kit



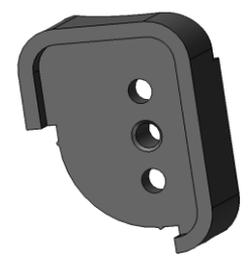
440F1588
Recirculation
Handle



445F1609
SS Shaft



440F1592
Butterfly
Valve



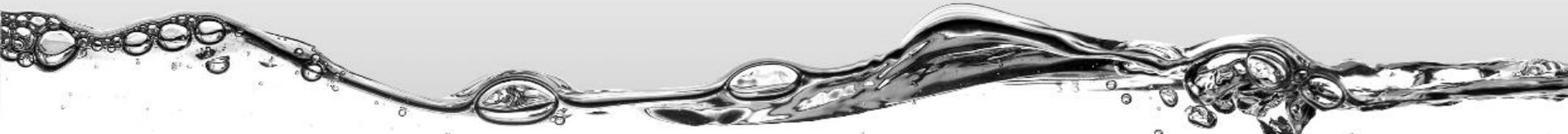
440F1589
Stop
Bushing



800F4034
EPDM O-
Ring



445G9008
Screws (2)



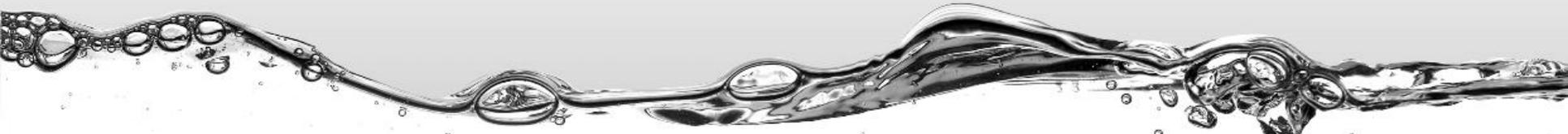
825KTG9123 – EPDM O-Ring Kit

- For 820, 825, and 850 Digital Meters



400G8951
O-Ring

820G9108
O-Ring



825KTF1582 – Rebuild Kit

- For 820, 825, and 850 Digital Meters



820F1552
O-Ring



800G7389
O-Ring



825F1578
Meter Chamber
Assembly

Components in 825F1578 Chamber Assembly

PART NO.	DESCRIPTION	QTY
825F1577	Magnet Holder	1
800F4439	Screw, #6-20 x 1/2 Phillips	2
800F3955	Pinion Plate	1
800F3965	Pinion Shaft	1
800G1304	G1304 Driver	1
35F6588	O-Ring (2-117)	1
820F1550	Seal Gland	1
800F3951	Meter Chamber Top	1
800G2530	Meter Disc	1
800F3952	Meter Chamber Bottom	1
800F3980	Washer	2